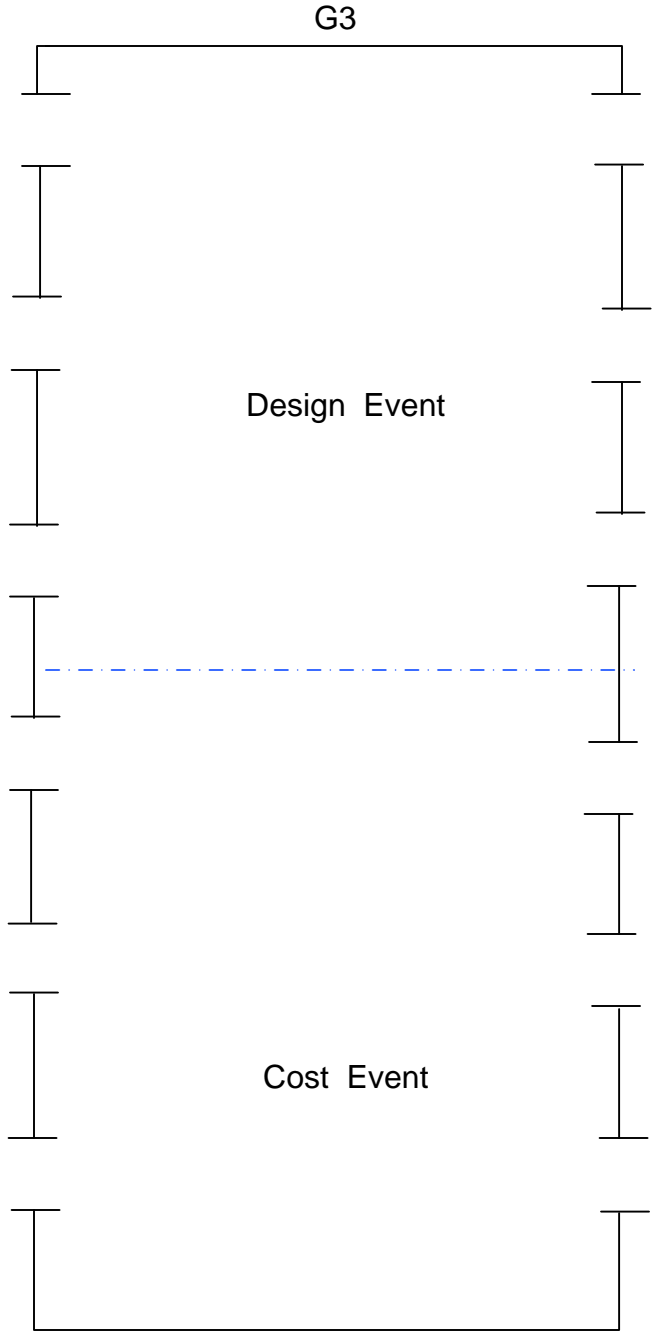
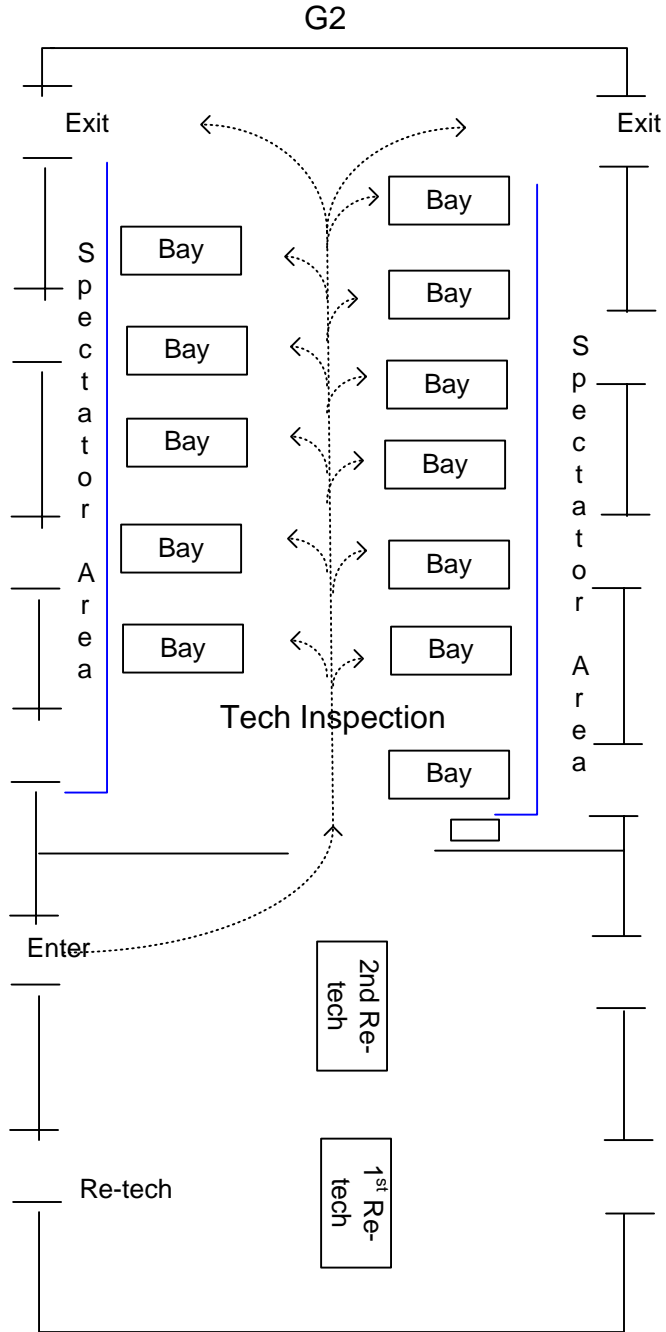
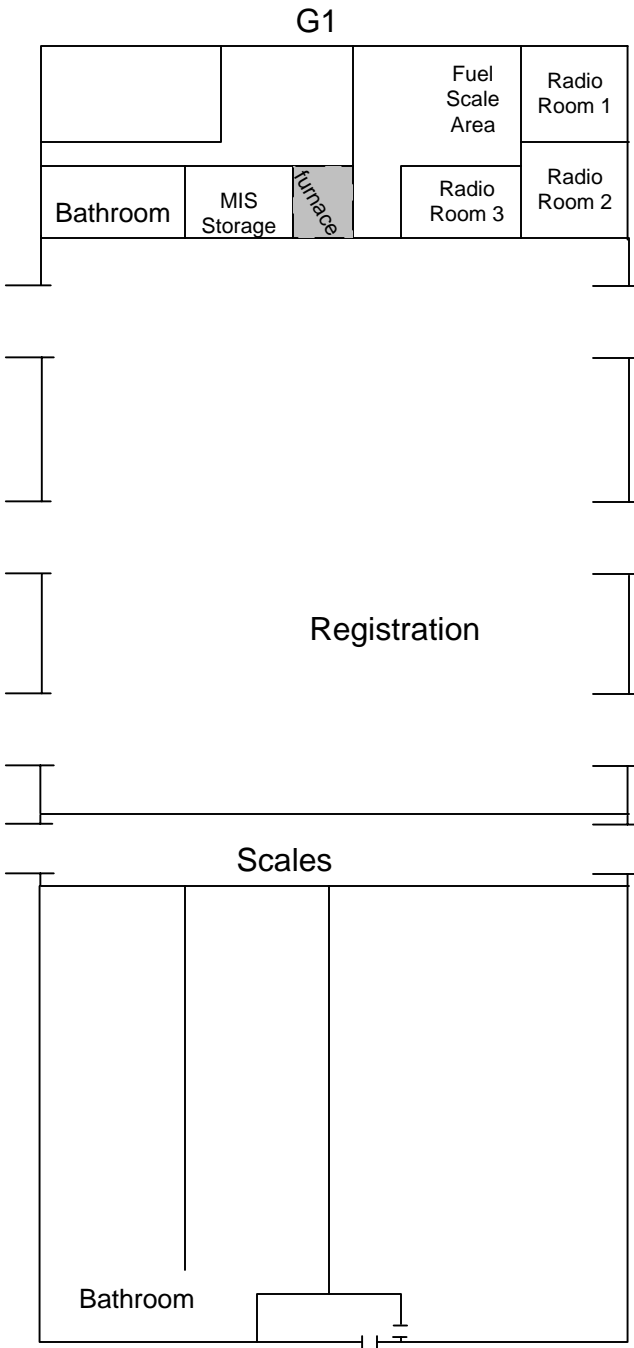


2009 FSAE  
 GARAGE LAYOUT  
 Map 3 2-23-09



All garages are 50' x 147'